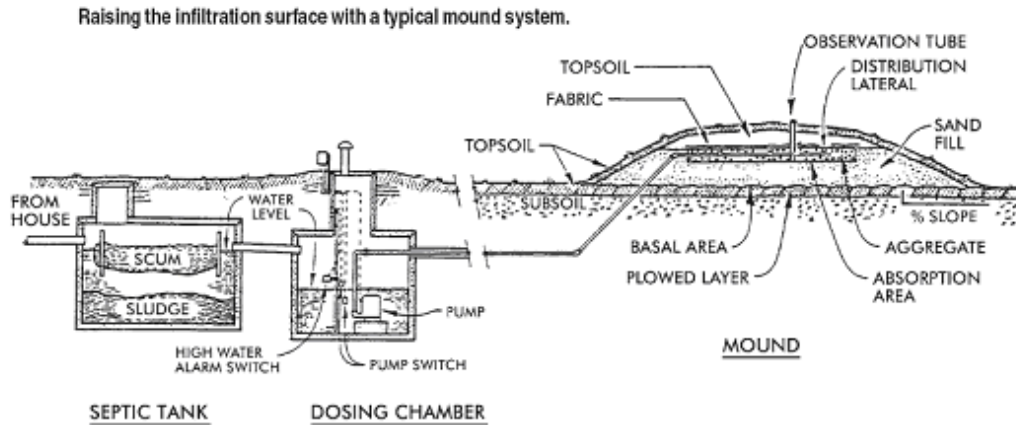
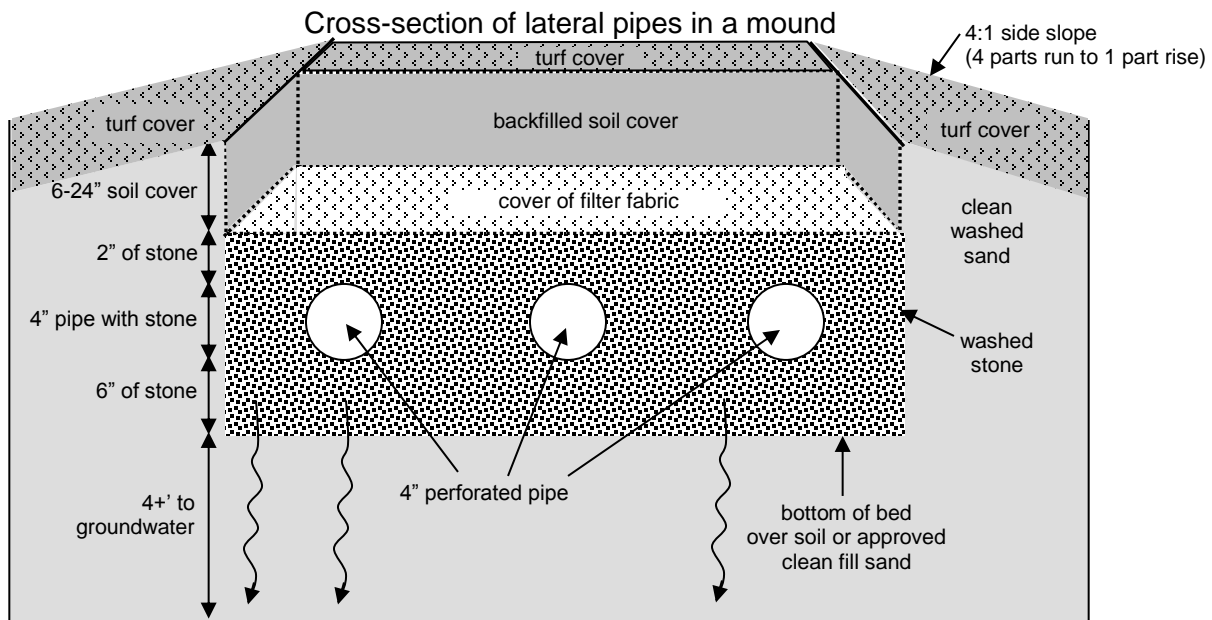


MOUND SYSTEM

A mound onsite sewage treatment system is typically designed and required for areas where seasonal water table conditions are within four feet of the ground surface. The placement of clean fill sand insures that an adequate isolation is maintained between the bottom of the absorption system and signs of seasonal water table.



Source: ASAE, Converse and Tyler, 1998b.



Disclaimer: This informational guide is intended to provide general information for homeowners. The guide is not intended to be comprehensive. For more complete information, refer to the Kalamazoo County Sanitary Code.